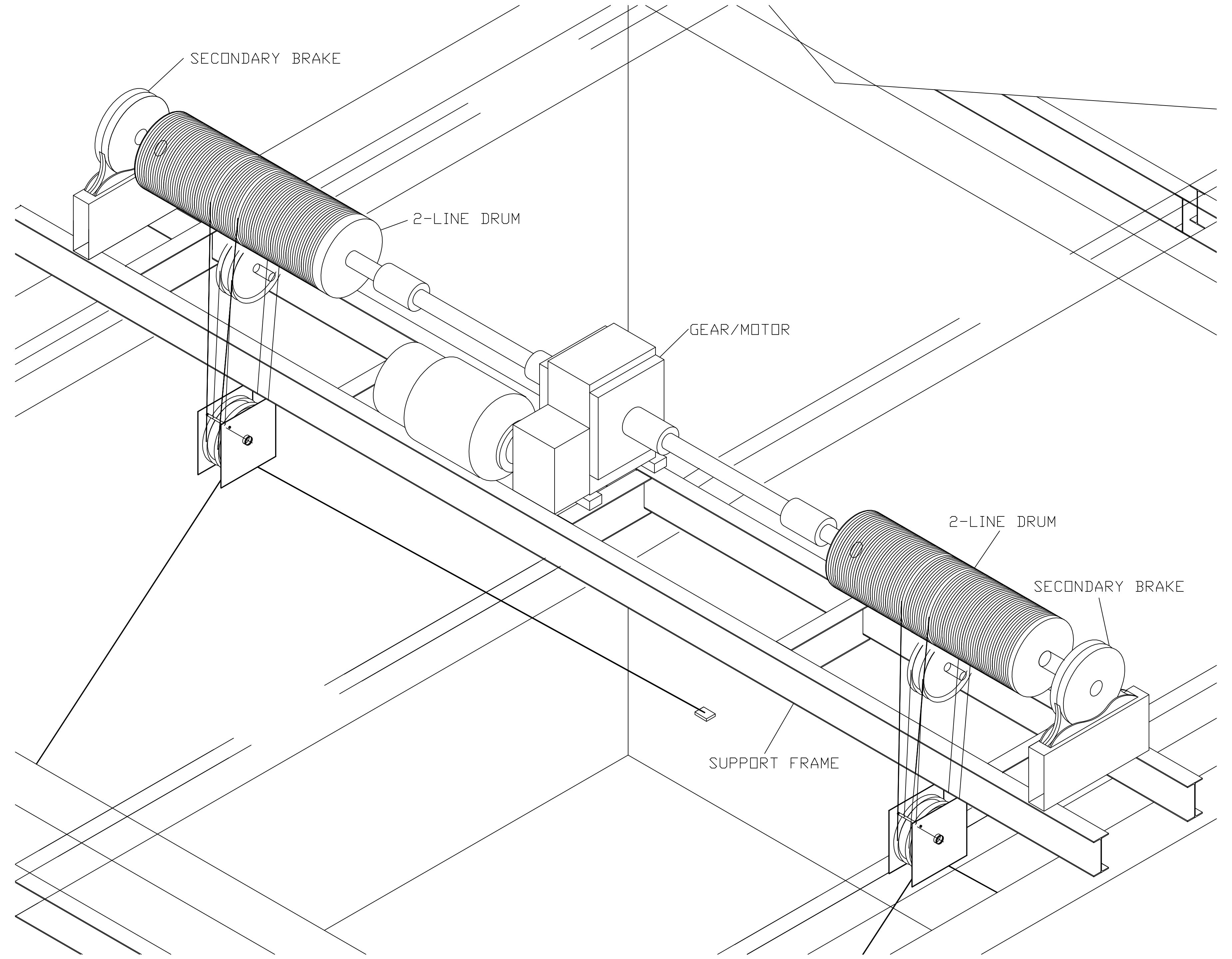
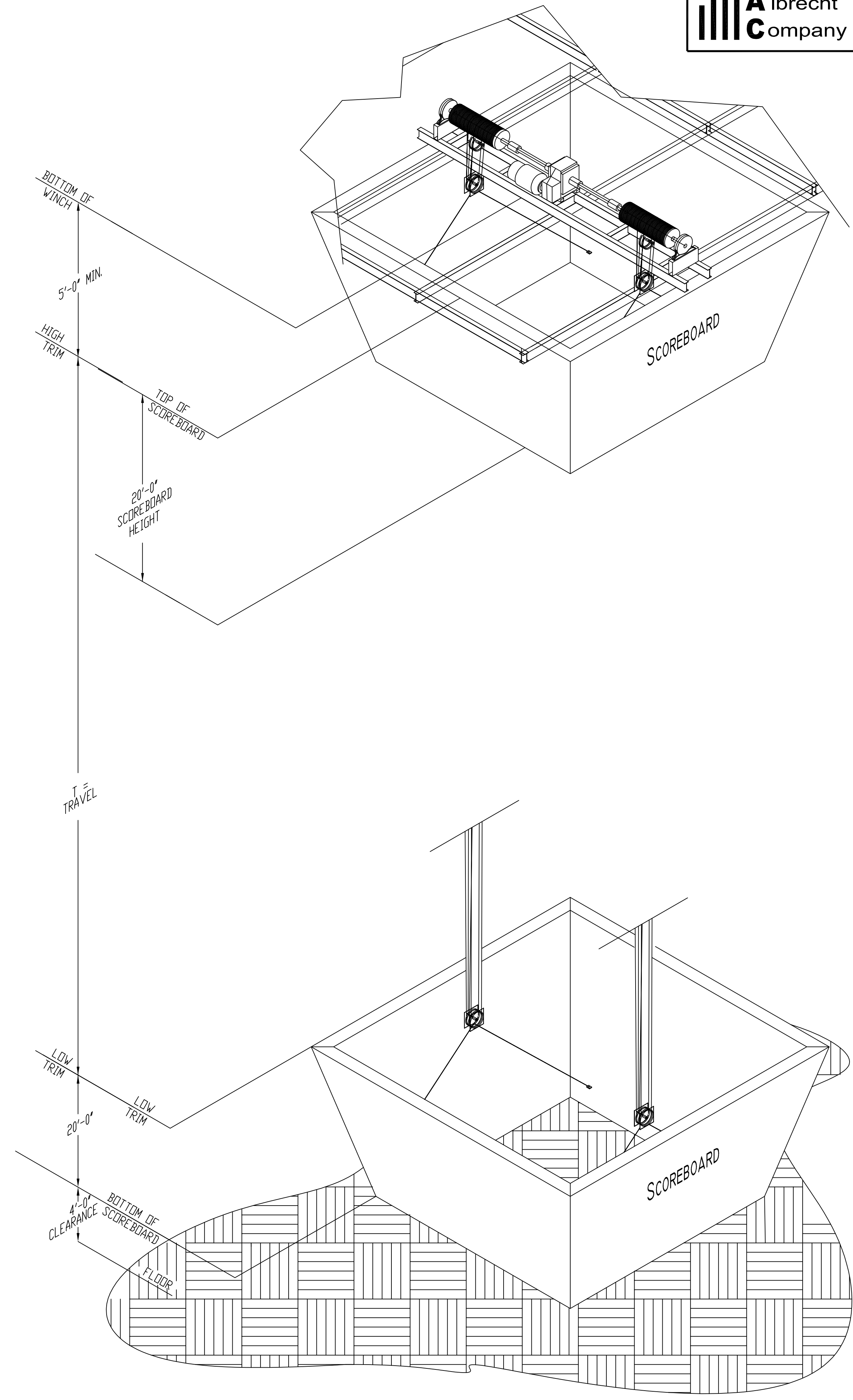


RECORD OF PRINTS				REVISIONS				
DATE	No.	PURPOSE		DATE	MARK	No. OF PAGES	BY	DESCRIPTION

TITLE	SCOREBOARD LINESHAFT WINCH		DRAWING NO.	SB4L2D3	sh 1 of 1
PROJECT	2 DRUMS, 4 LINE		SCALE	NTS	
			DRW'N	KS,JOC	6/20/03
			CHK'D		
			APPR.		

SPECIFICATIONS

	SYSTEM	HOIST
LOAD CAPACITY	___ LBS.	___ LBS.
SPEED	___ FPM	___ FPM
TRAVEL	100 FT.	300 FT.
CABLE	___ DIA., ___ x ___	
DRUM DIA.	___ INCHES	
MOTOR HP.	___ HP, ___ RPM	
RIGGING	3 : 1	



ENLARGED VIEW OF HOIST