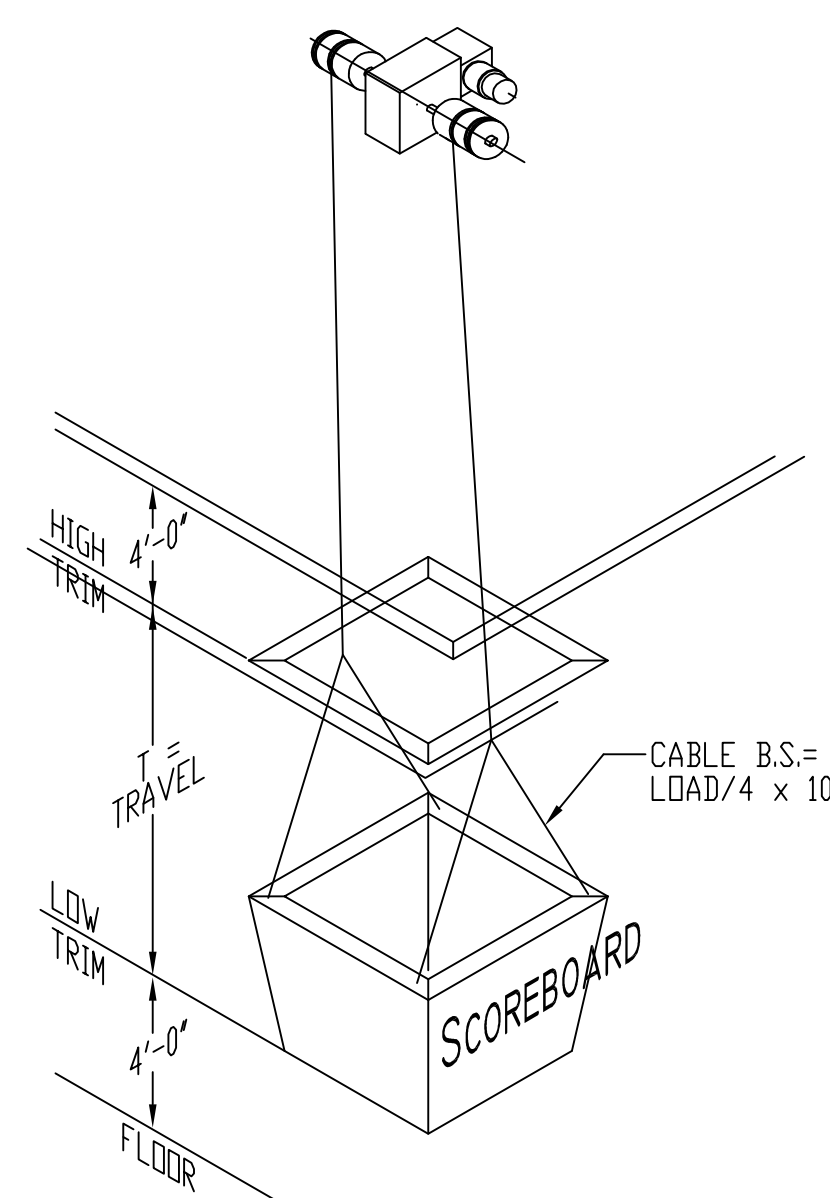
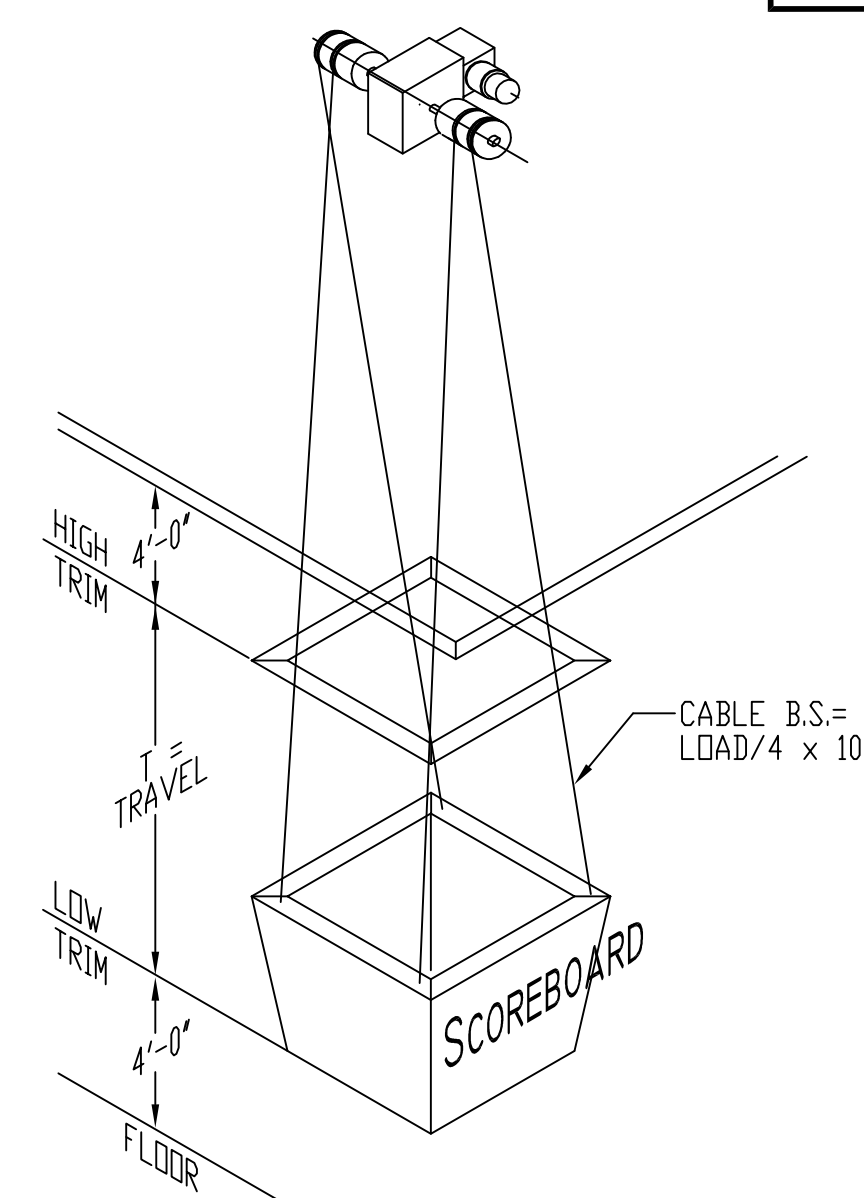


RECORD OF PRINTS				REVISIONS			
DATE	No.	PURPOSE		DATE	No.	PURPOSE	

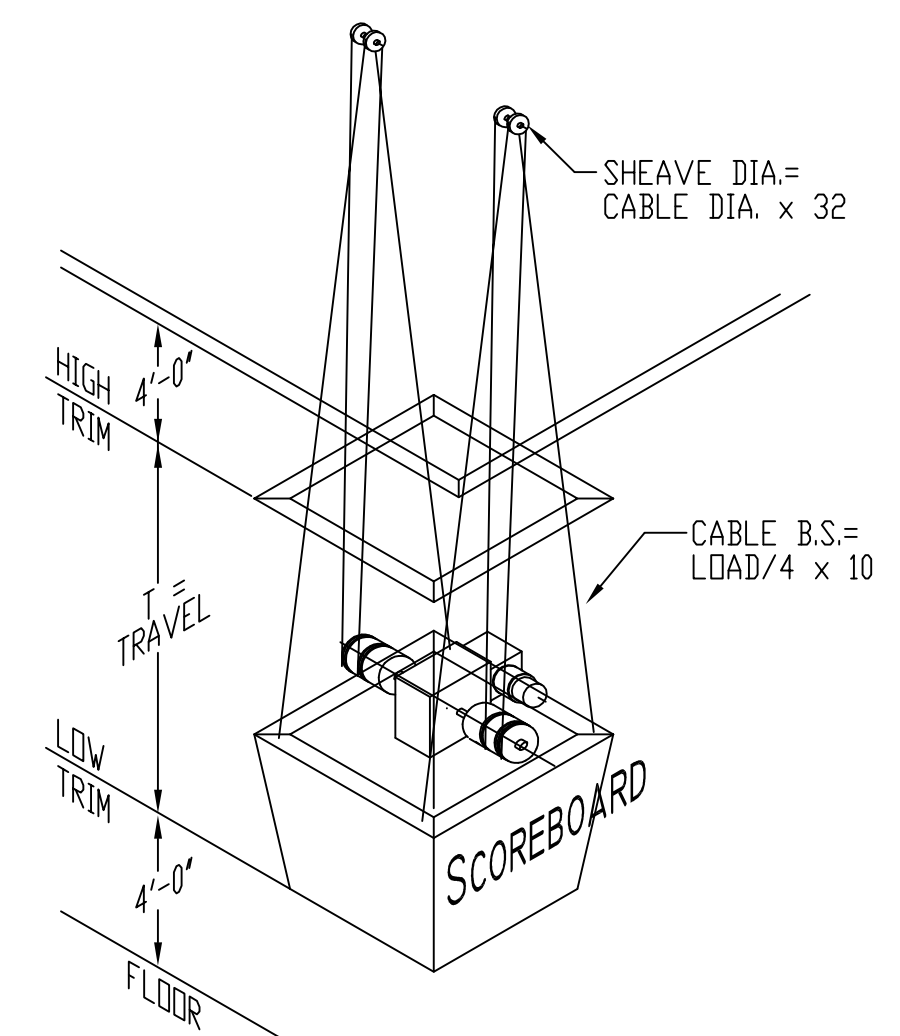
TITLE	VARIOUS RIGGING SCHEMES		DRAWING NO.	sht 1 of 1
PROJECT			RIGGING TYPES	
			SCALE	NTS
			DRW'N	JMS 03/11/09
			CHK'D	
			APPR.	



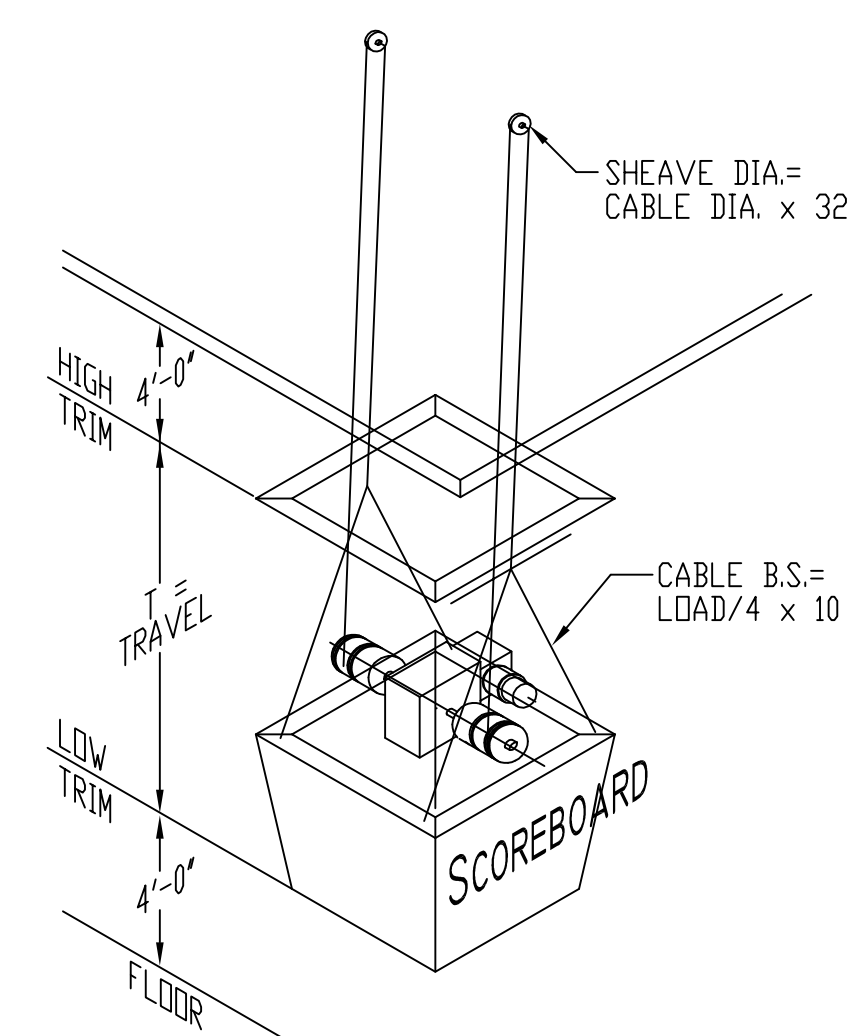
METHOD 1



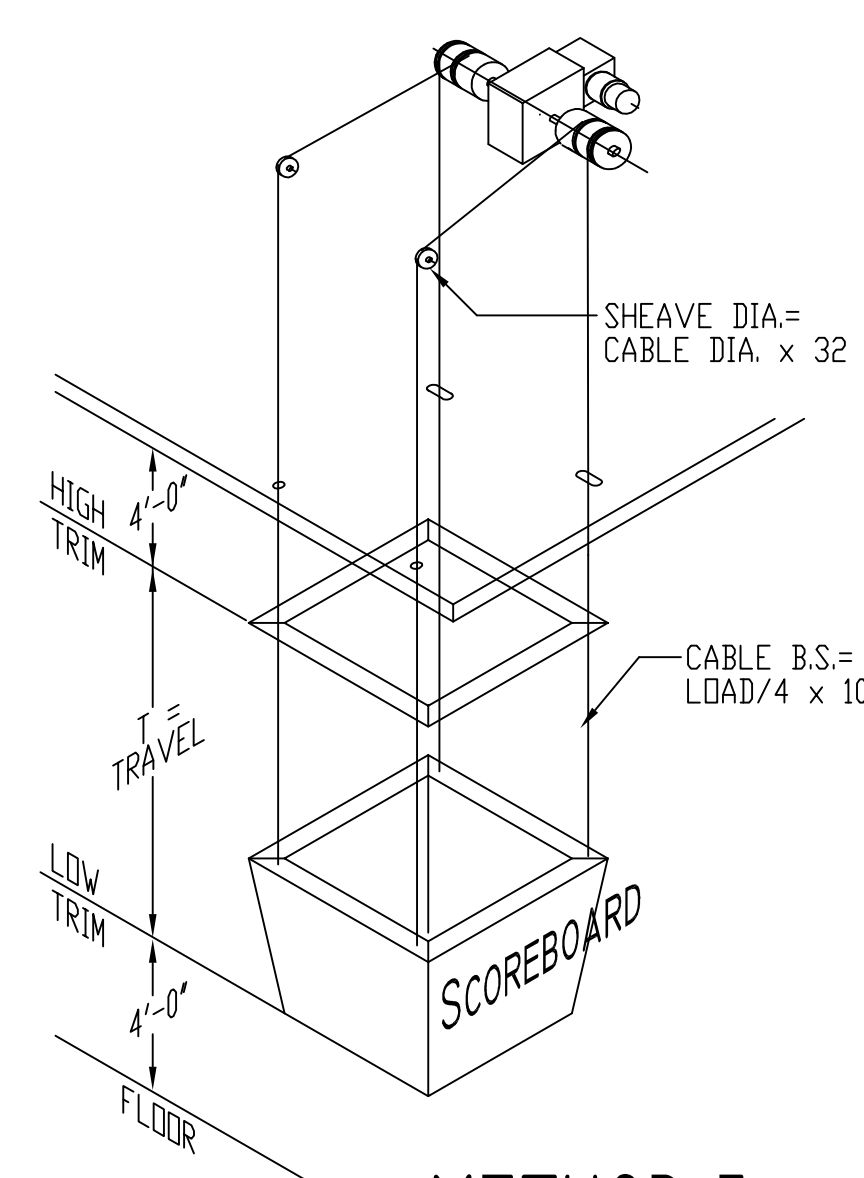
METHOD 2



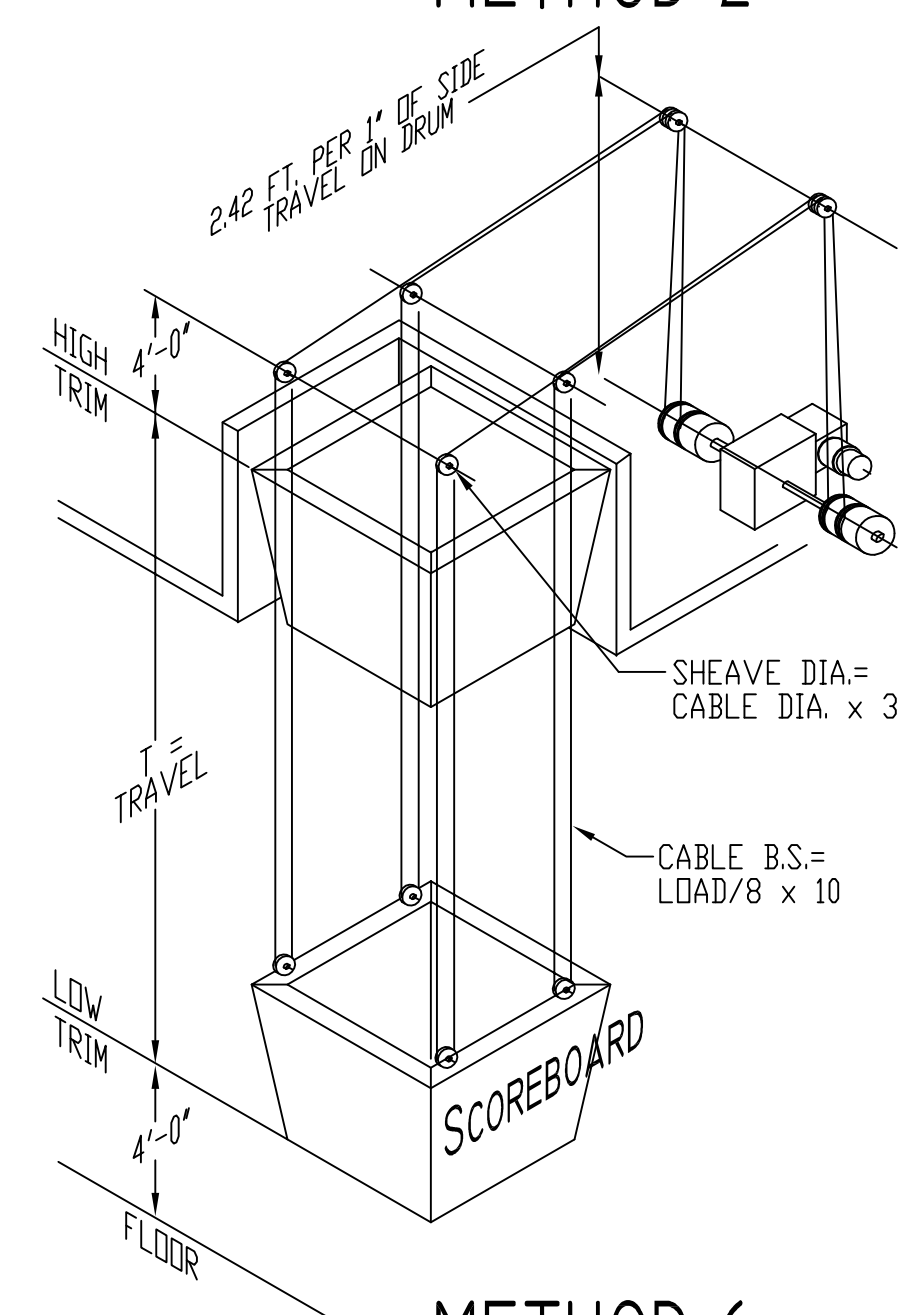
METHOD 3



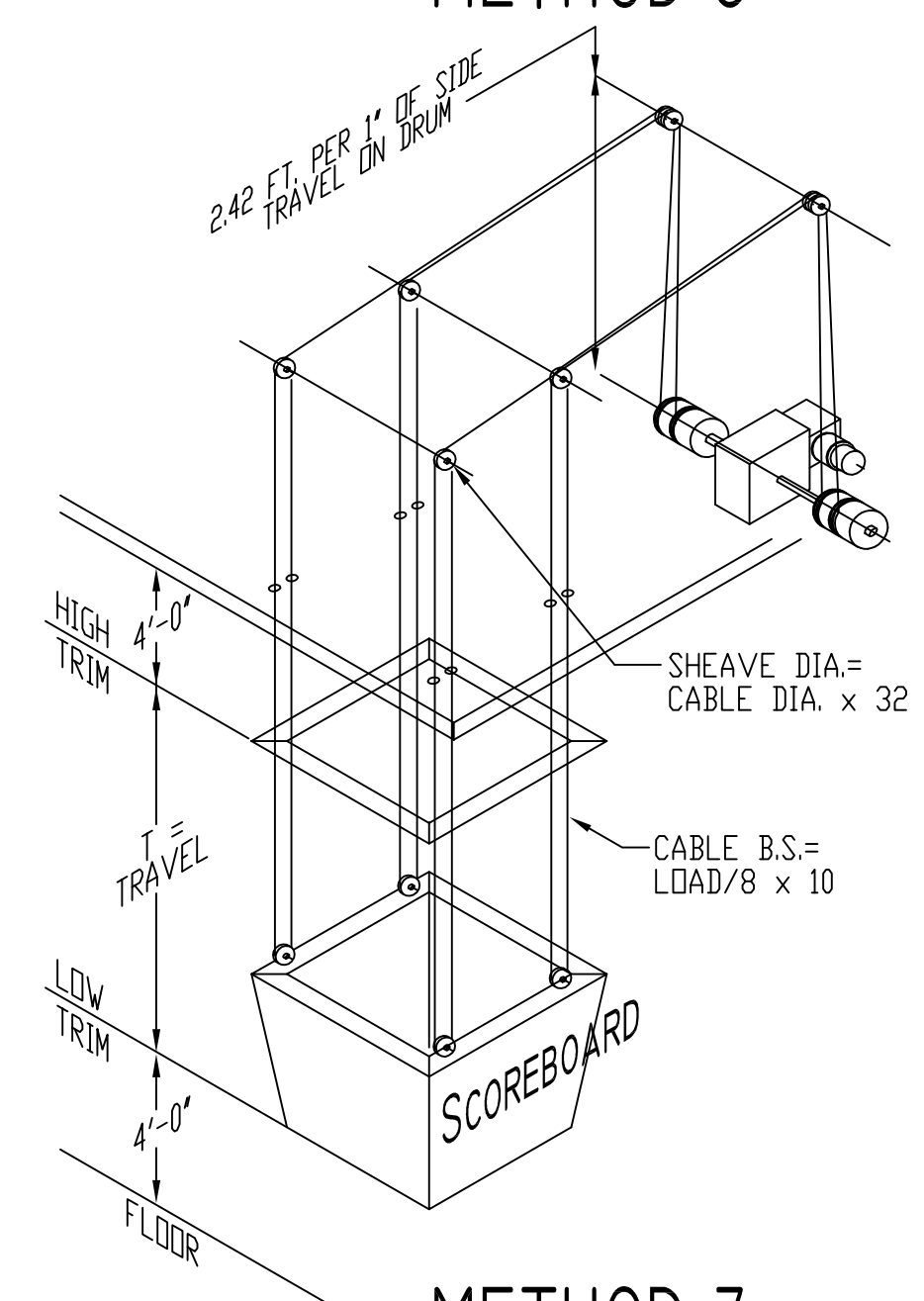
METHOD 4



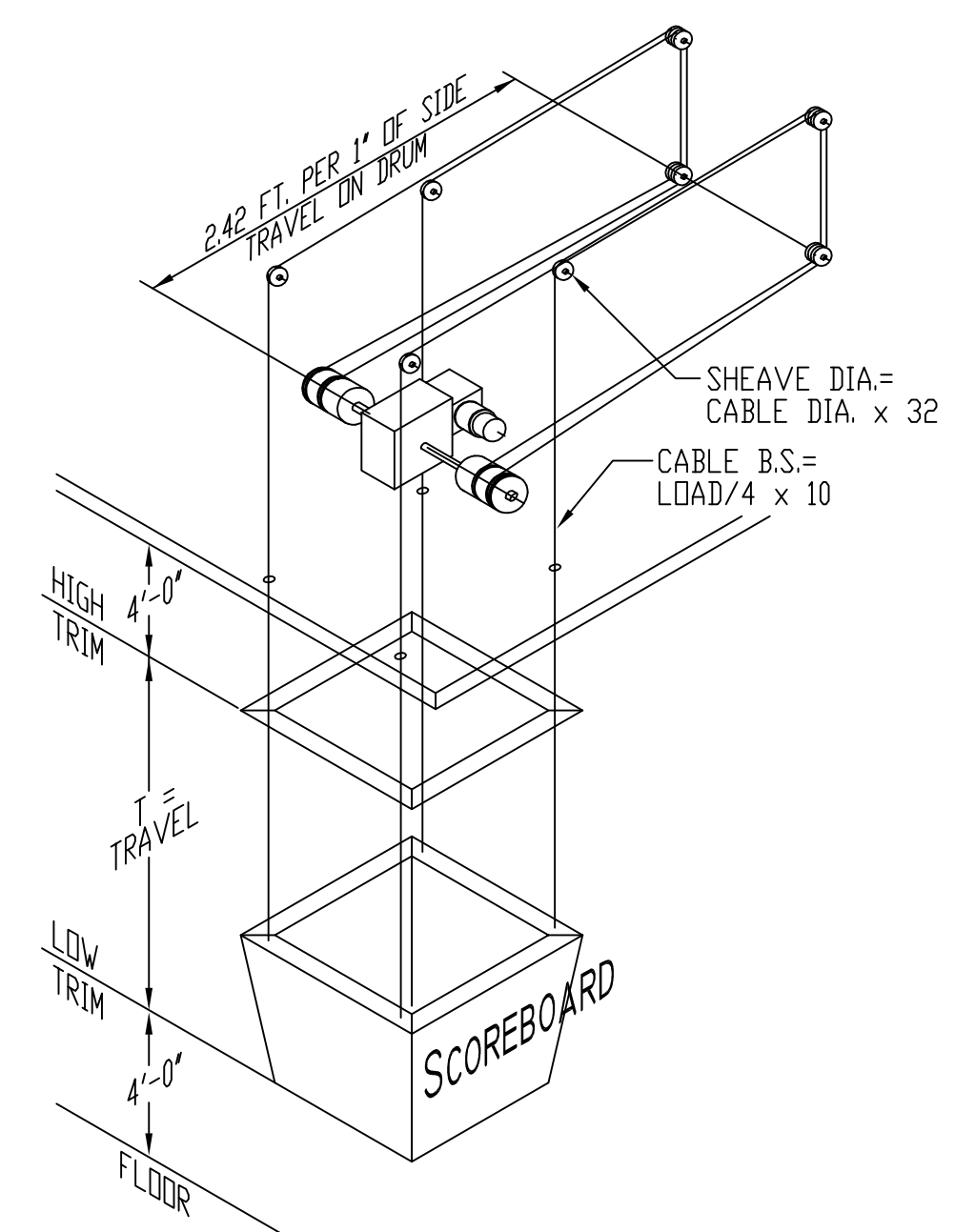
METHOD 5



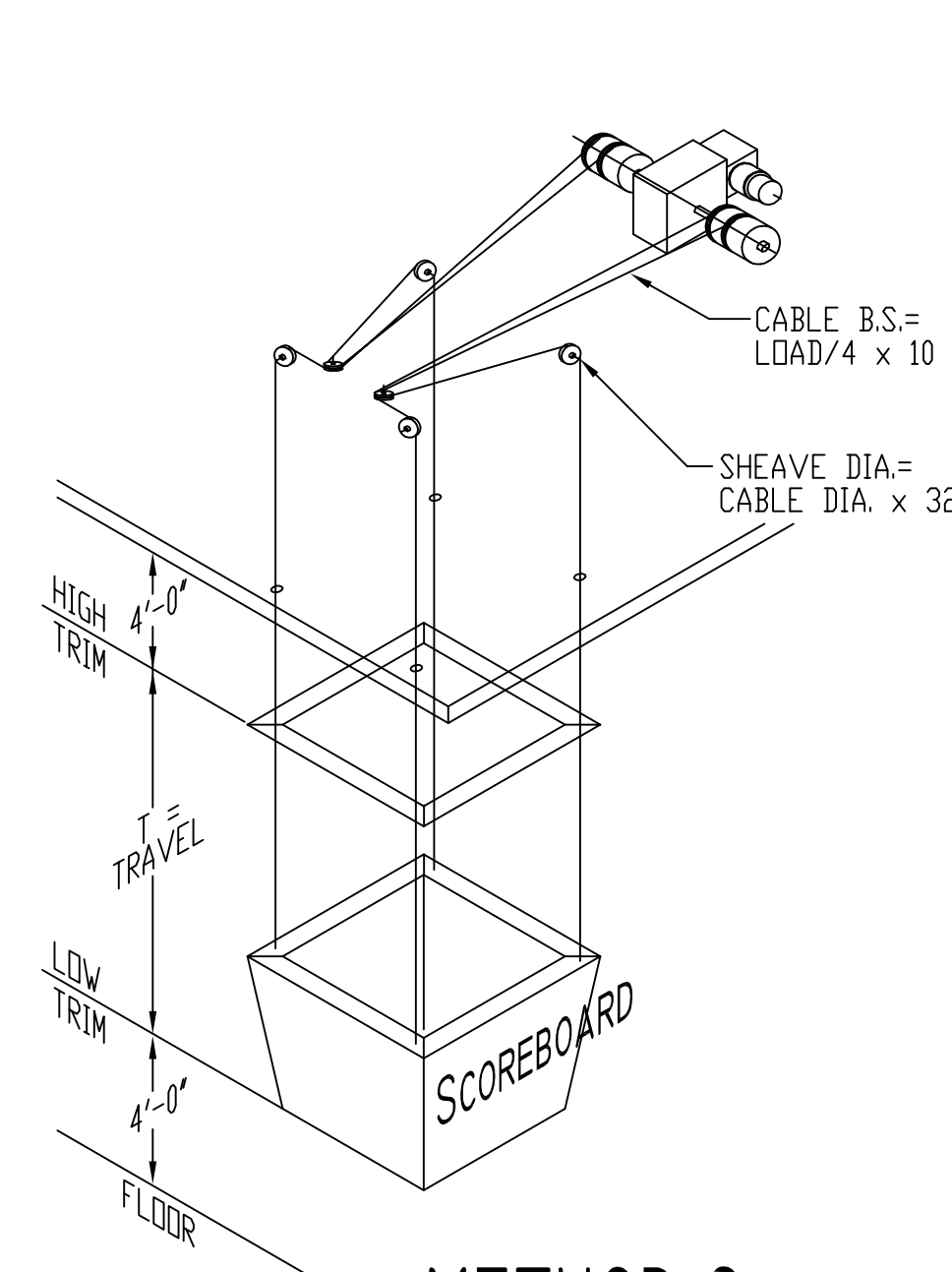
METHOD 6



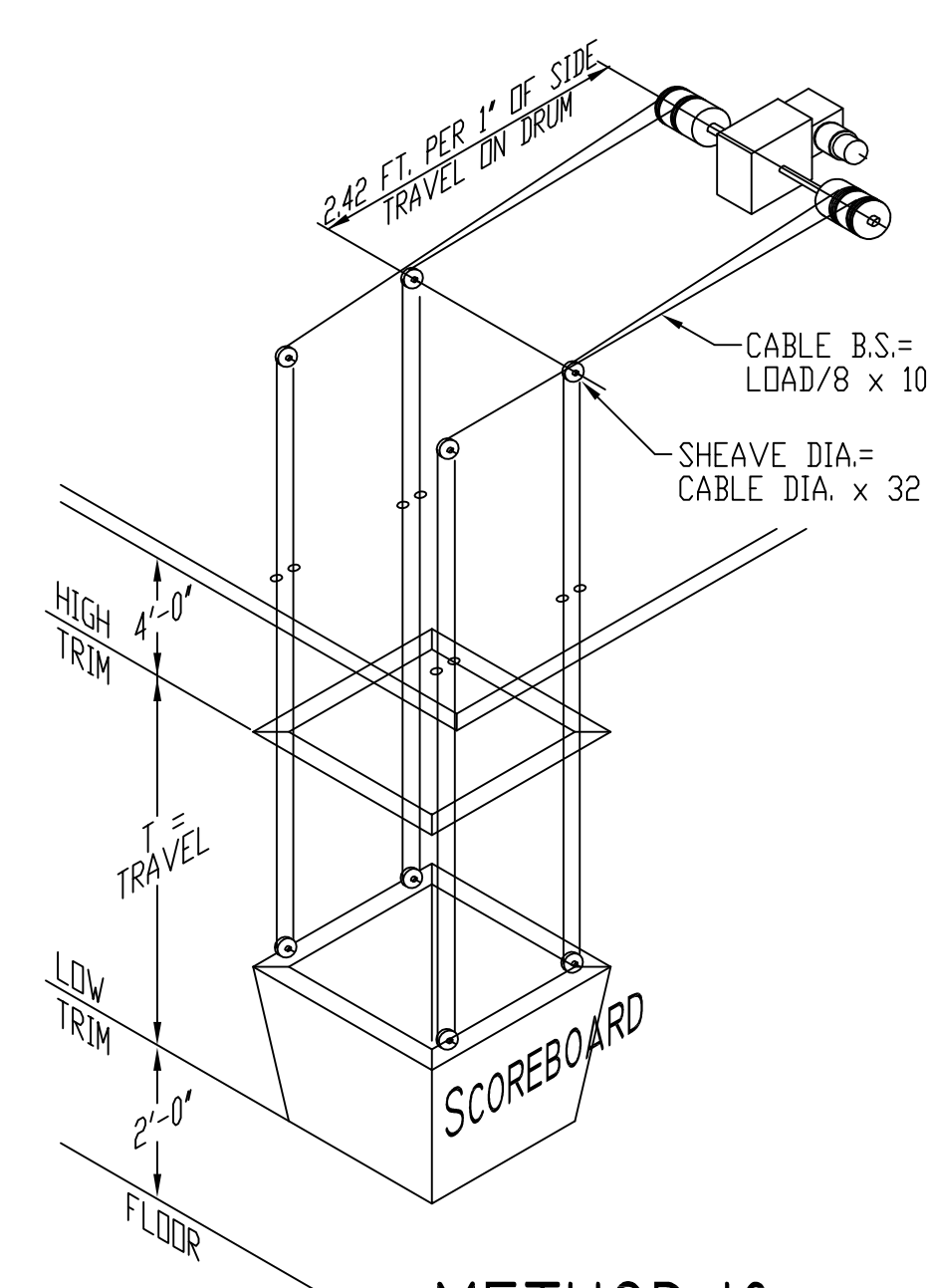
METHOD 7



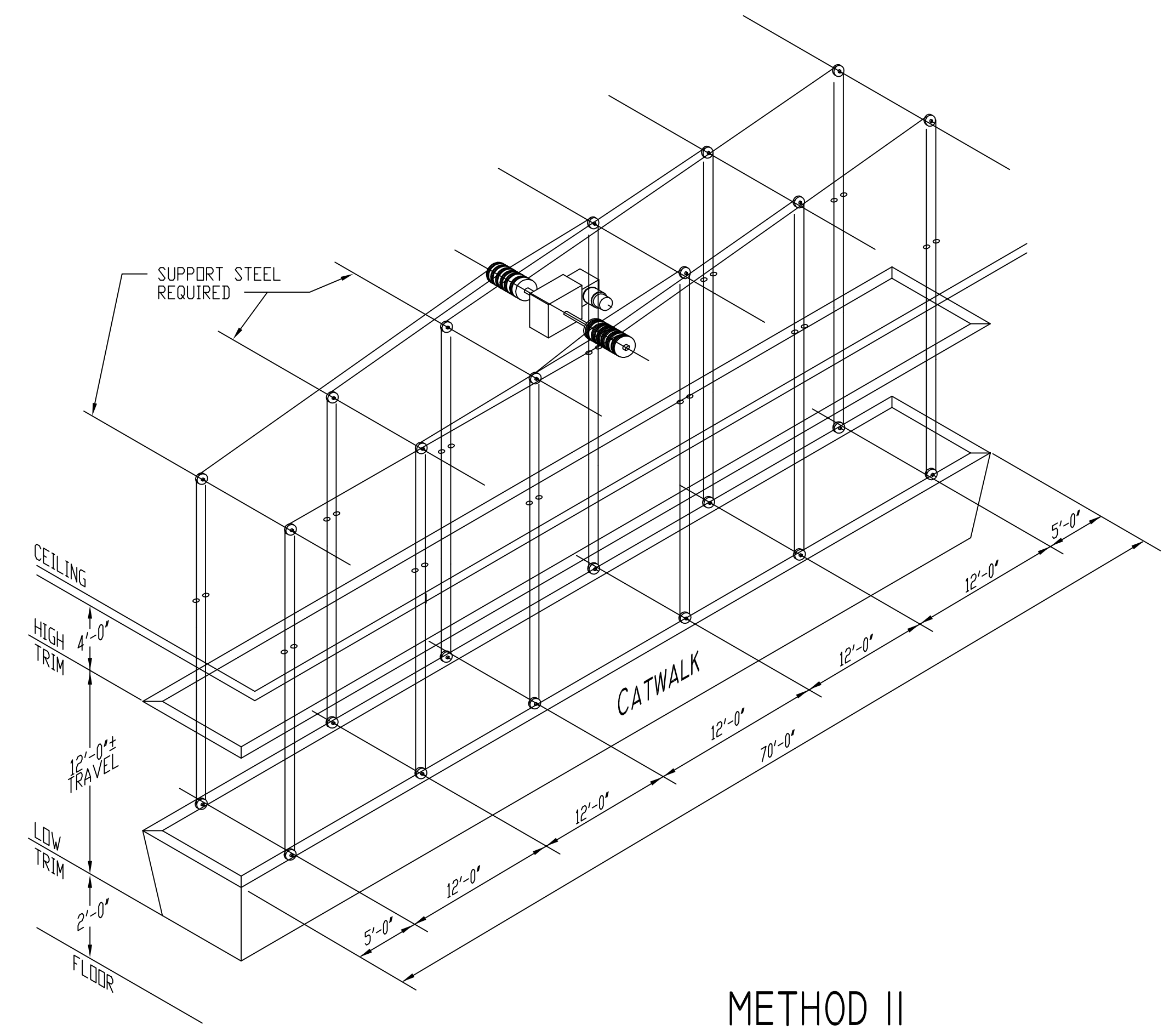
METHOD 8



METHOD 9



METHOD 10



METHOD II

©2009 PETER ALBRECHT COMPANY RIGGING TYPES.dwg, 8/15/2011 10:45:55 AM 11