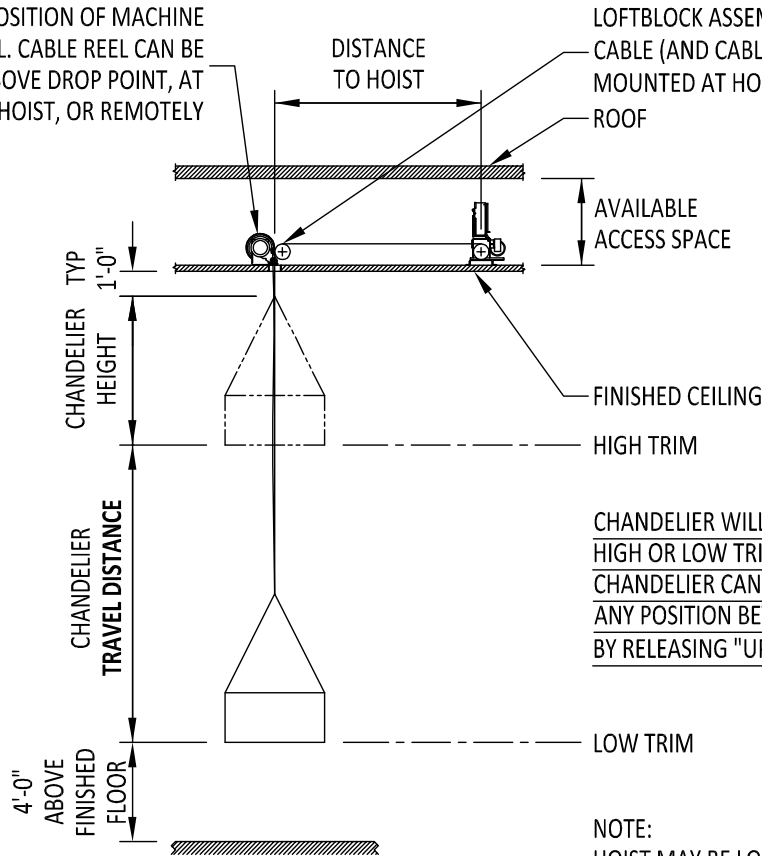


ALTERNATE POSITION OF MACHINE & CABLE REEL. CABLE REEL CAN BE MOUNTED ABOVE DROP POINT, AT HOIST, OR REMOTELY



CHANDELIER WILL NOT GO PAST HIGH OR LOW TRIMS.
CHANDELIER CAN BE STOPPED AT ANY POSITION BETWEEN TRIMS BY RELEASING "UP/DOWN" CONTROL.

NOTE:
 HOIST MAY BE LOCATED DIRECTLY OVER CHANDELIER. HOIST AND LOFTBLOCK MAY BE UNDERHUNG.

Hoist support structure:

in place.....
 to be provided by Peter Albrecht.....
 Intermediate positions required..... yes ___ no
 Electrical supply to fixture required..... yes ___ no
 Quantity & size of wires to fixture..... Conductors
 _____ AWG

Installation required.....
 Supervision required.....
 Chandelier weight..... lbs.
 Chandelier travel distance..... ft. ___ in.
 Chandelier height..... ft. ___ in.
 Distance to hoist from chandelier cable drop..... ft. ___ in.
 Available access space between roof & ceiling..... ft. ___ in.

Engineered technologies for the world of entertainment.

Peter Albrecht Company, Inc.
 6250 Industrial Court
 Greendale, WI 53129-2432 USA

Phone: 414-421-6630
 Phone: 800-878-6630
 Fax: 414-421-9091

*Save the filled form as a .pdf and email it to sales@peteralbrecht.com or fax it to 414-421-9091.

Web Site: www.peteralbrecht.com
 E-Mail: sales@peteralbrecht.com